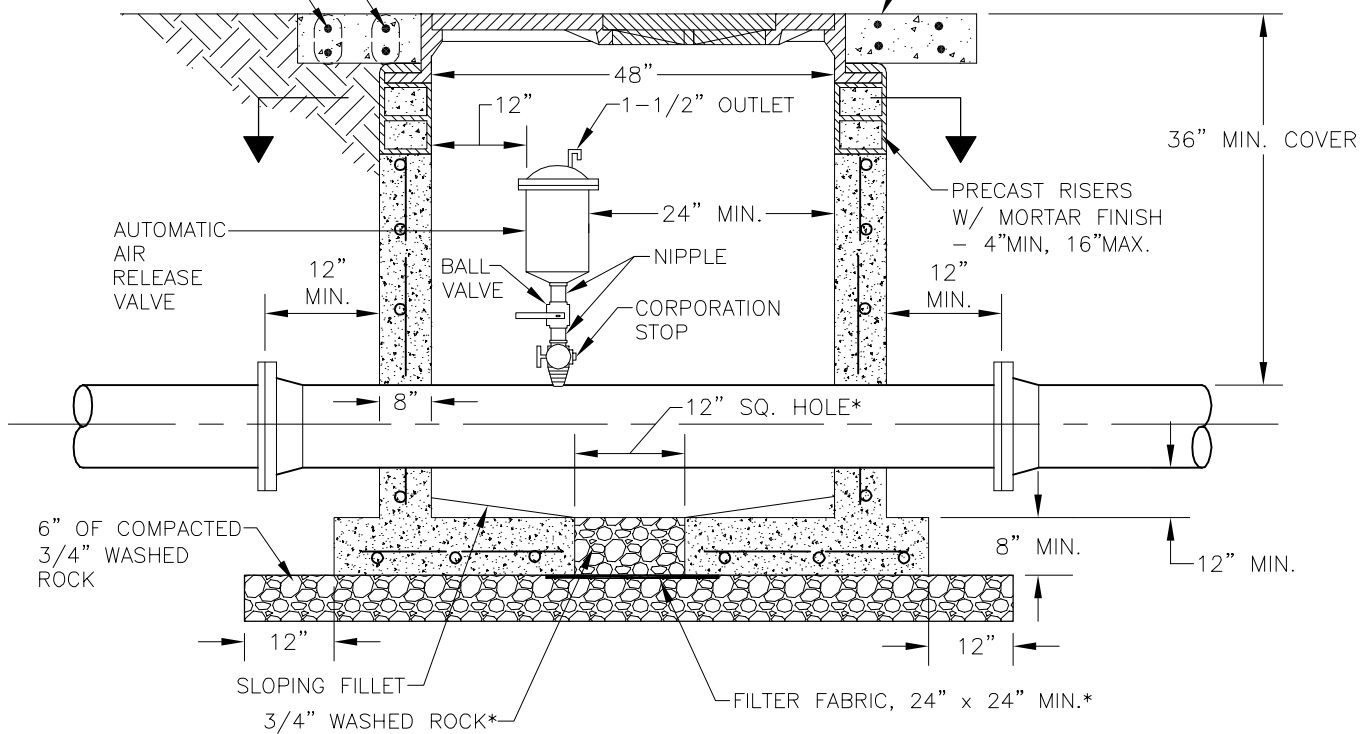
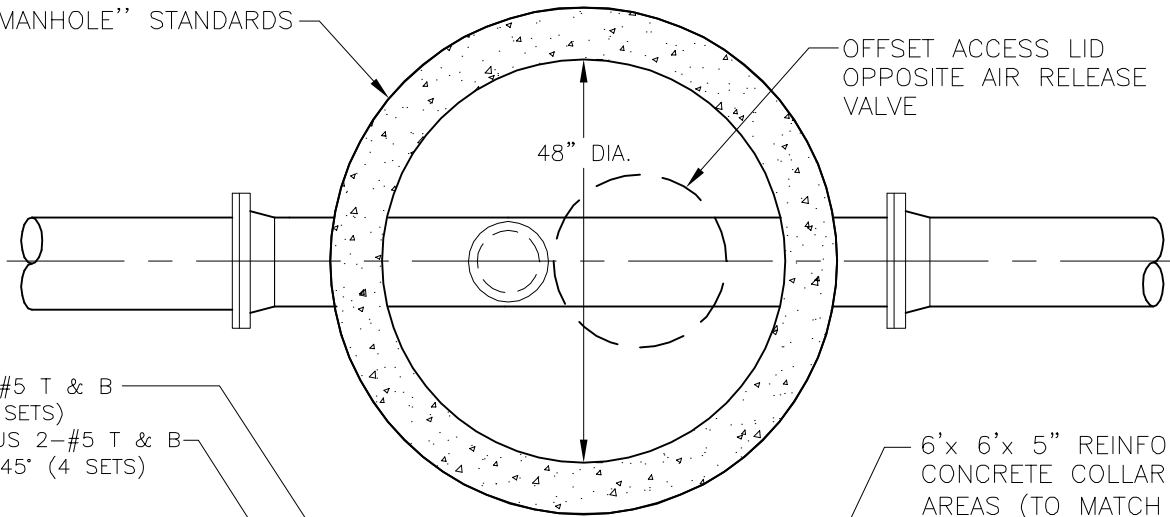


SEE "DOG HOUSE MANHOLE" STANDARDS



*SEE NOTE 7 ON "AIR RELEASE VALVE AND VAULT NOTES" STANDARD (P-5.1)

REVISED: SEPT-2009	PRESSURE PIPE - AIR RELEASE VALVE AND VAULT	STANDARD DETAIL
ISSUED: SEPT - 2009	CITY OF WEST PALM BEACH ENGINEERING SERVICES DEPT.	P-5