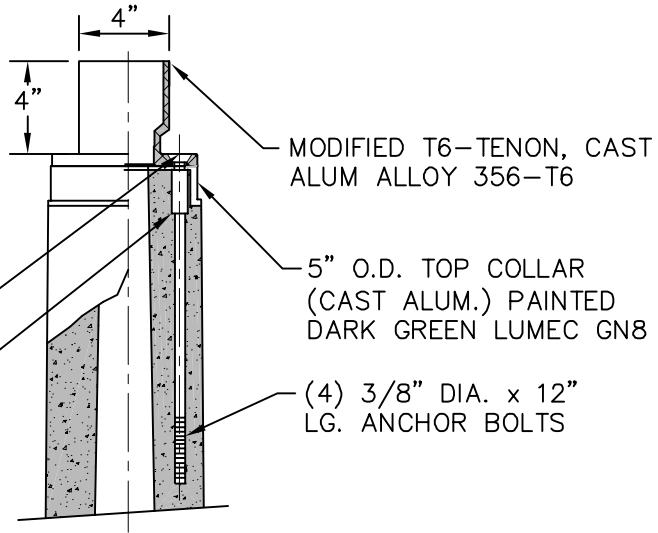
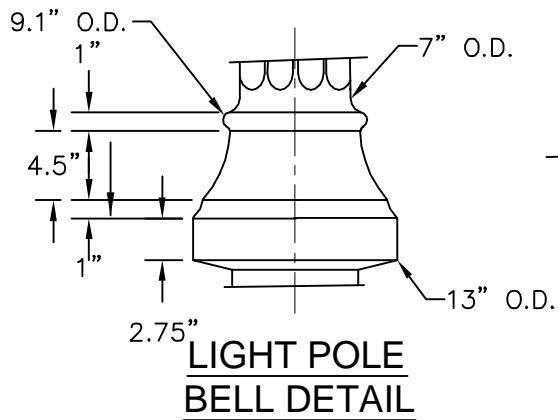
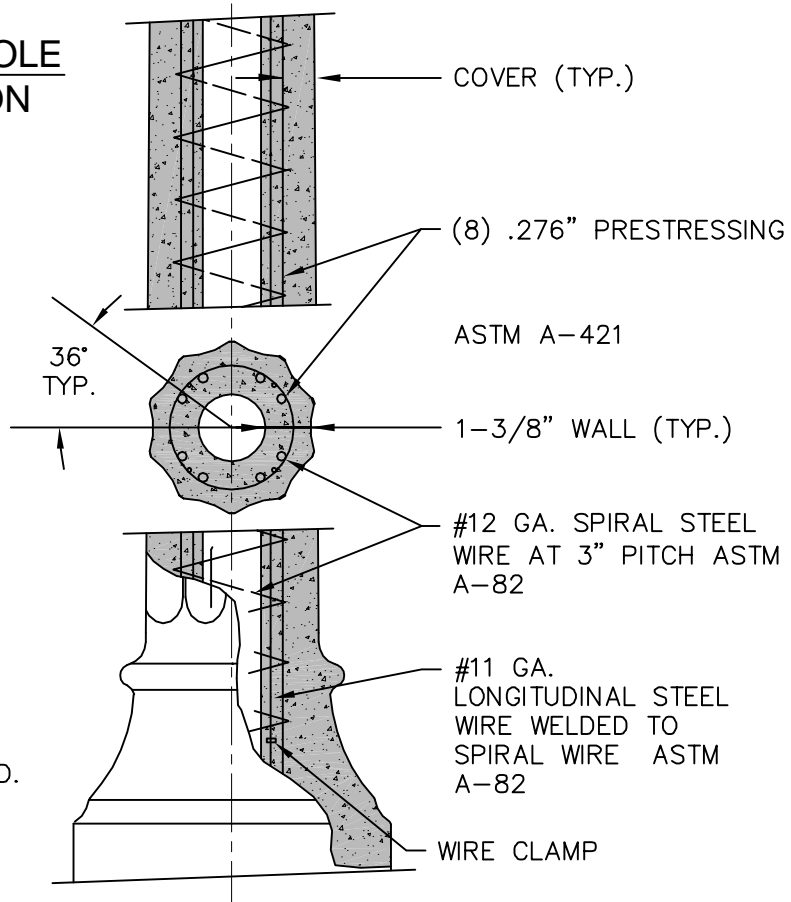


**LIGHT POLE
TOP MOUNT
DETAIL**

- (4) 3/8"-16 x 1-1/4" LG. S.STL. FLAT HEAD SCREWS ON 3-1/2" DIA. B.C.
- (4) 3/8"-16 x 1-3/4" LG. STEEL COUPLINGS @ 90° ON 3-1/2" B.C.



**LIGHT POLE
SECTION**



**LIGHT POLE
BELL
DETAIL**

REVISED: SEPT-2009	STREET LIGHTING - AMERON TRADITIONAL SERIES POLE, VICTORIAN STYLE II - POLE DETAILS	STANDARD DETAIL
ISSUED: SEPT - 2009		CITY OF WEST PALM BEACH ENGINEERING SERVICES DEPT.