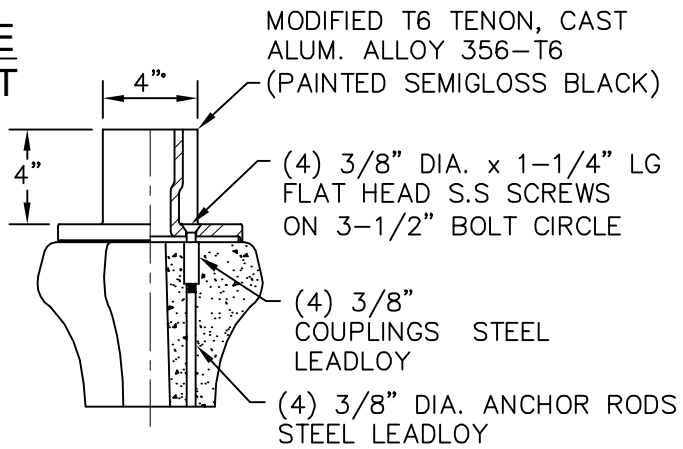
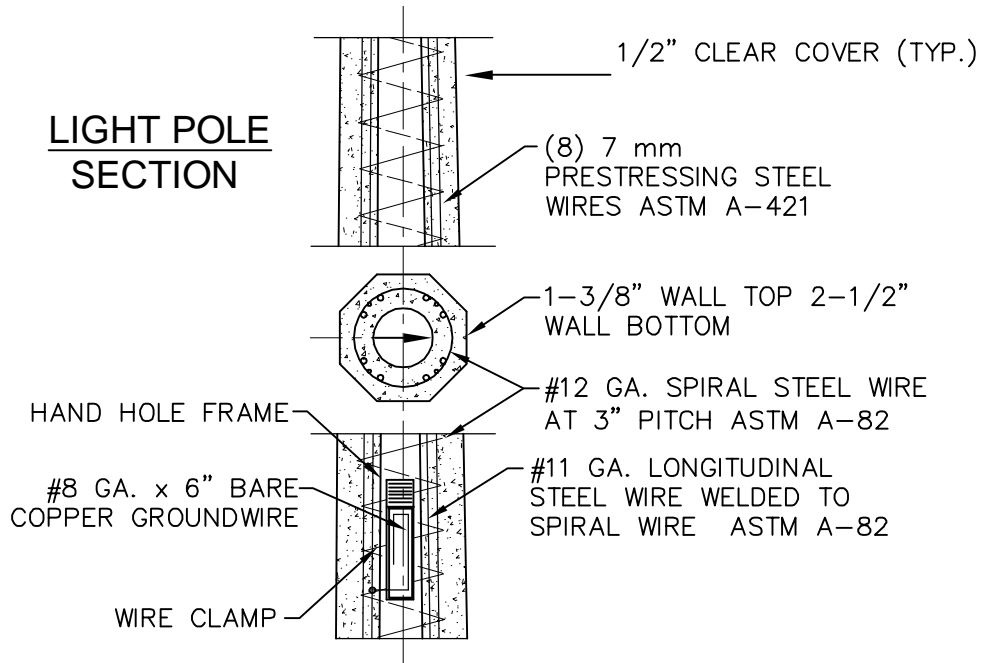


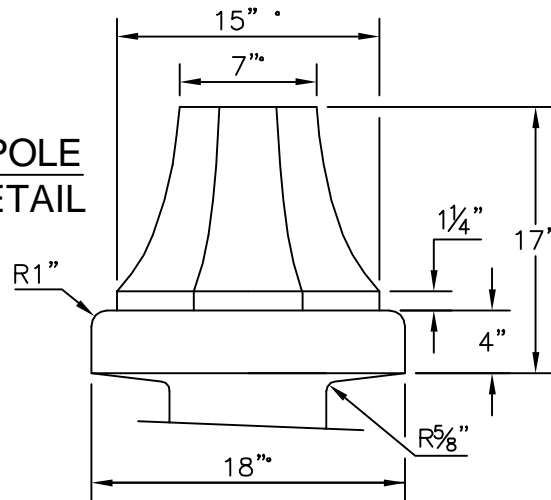
**LIGHT POLE
TOP MOUNT
DETAIL**



**LIGHT POLE
SECTION**



**LIGHT POLE
BELL DETAIL**



REVISED:
SEPT-2009

STREET LIGHTS - AMERON TRADITIONAL SERIES POLE
VICTORIAN STYLE V - POLE DETAILS

STANDARD
DETAIL

ISSUED:
SEPT - 2009

CITY OF WEST PALM BEACH ENGINEERING SERVICES DEPT.

SL-4