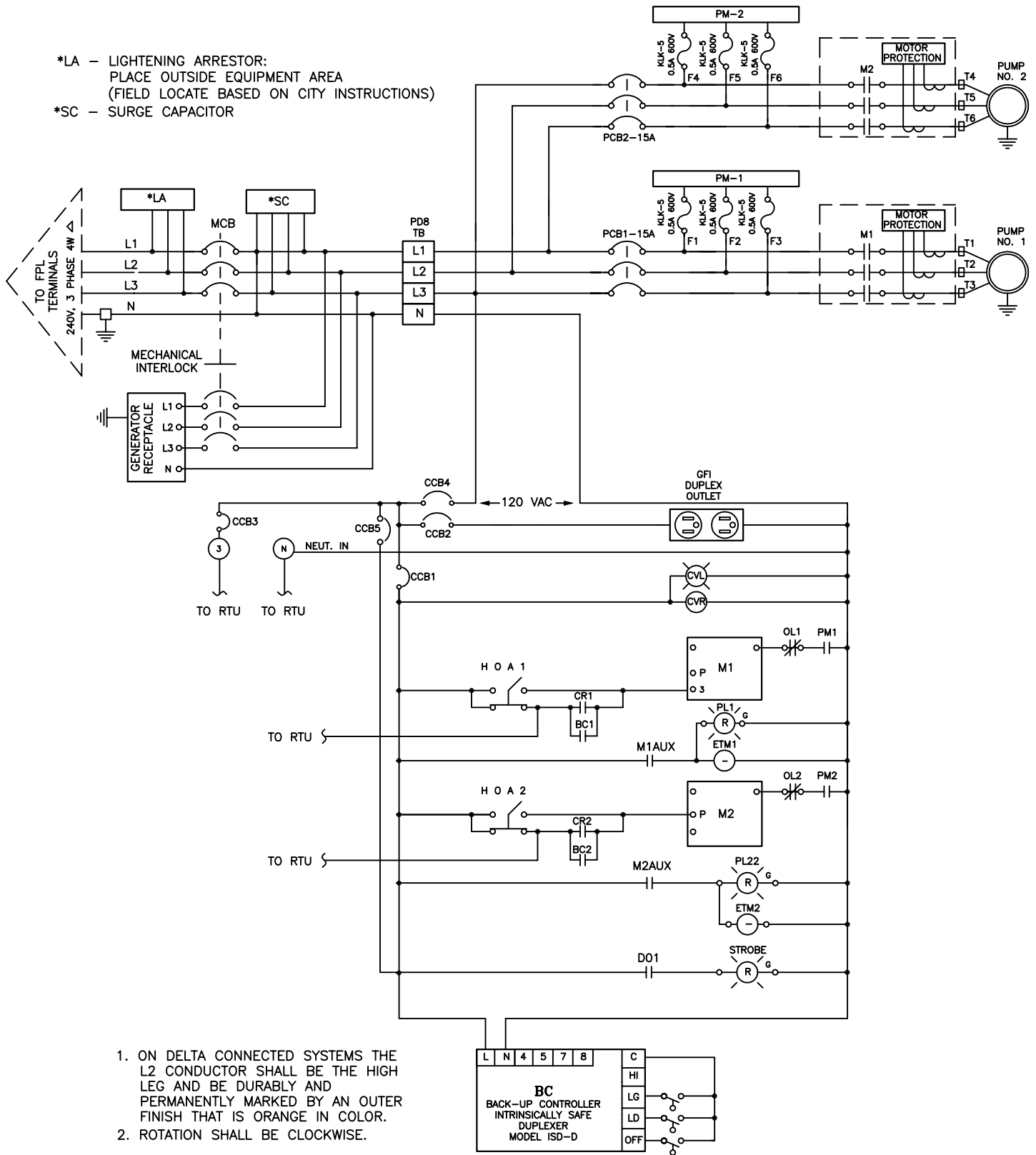
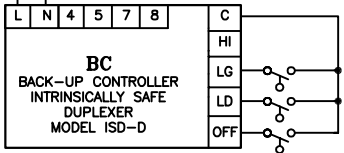


*LA - LIGHTNING ARRESTOR:
PLACE OUTSIDE EQUIPMENT AREA
(FIELD LOCATE BASED ON CITY INSTRUCTIONS)
*SC - SURGE CAPACITOR



1. ON DELTA CONNECTED SYSTEMS THE L2 CONDUCTOR SHALL BE THE HIGH LEG AND BE DURABLY AND PERMANENTLY MARKED BY AN OUTER FINISH THAT IS ORANGE IN COLOR.
2. ROTATION SHALL BE CLOCKWISE.



REVISED:
SEPT-2009

ISSUED:
SEPT - 2009

**SUBMERSIBLE LIFT STATION - MODIFIED PUMP & RTU
ELECTRICAL PANELS**

CITY OF WEST PALM BEACH ENGINEERING SERVICES DEPT.

STANDARD
DETAIL

SLS-14.1